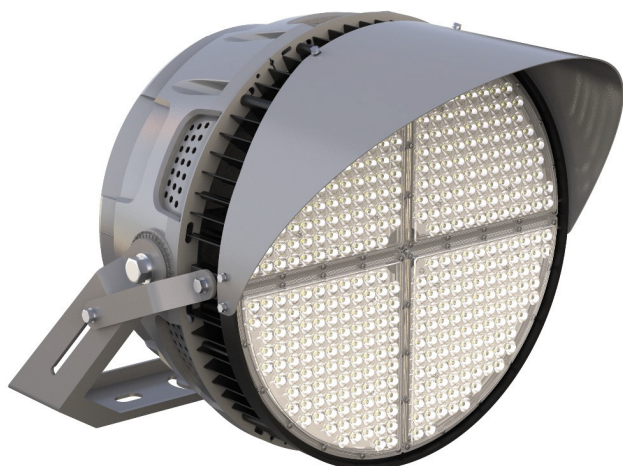


## TECHNICAL DATA



### TYPE

Professional LED projectors for **Public Lighting**.

Can be used in Highway or any public road and in Parks.

### CHARACTERISTICS

LEDs: 5050

Nomial efficacy:160 lm/W

Maximum LED: 1000mA

Lifetime L90B10:>50,000 hours

Luminous flux and efficacy at 5700°K

Luminous flux tolerance <+/-3%

Values may be subject to change du LED binning.

### OPENING/BEAM

High efficiency Ra>80 LED. 20°

### MATERIAL

Die-cast aluminium, Transparent 4mm

tempred-Glass

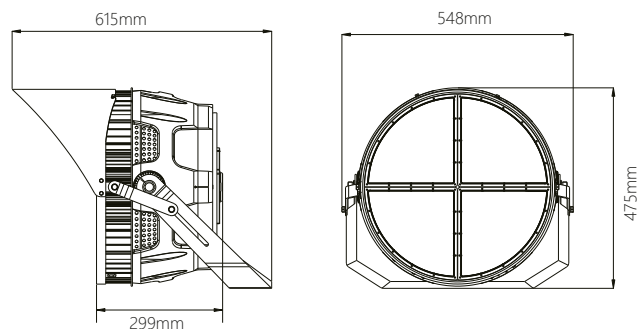
Aluminum frame

Steel Galvanized and painted bracket

|                     |          |                  |
|---------------------|----------|------------------|
| PRO                 | CRI ≥ 70 |                  |
| IP66                | 50000h   | 20°              |
| 100-277V<br>50/60Hz |          | 5 YEARS WARRANTY |

|                           |               |
|---------------------------|---------------|
| <b>Model:</b>             | Capo          |
| <b>Format:</b>            | Round         |
| <b>Location:</b>          | Exterior      |
| <b>Wattage:</b>           | 1200W         |
| <b>Materials:</b>         | Aluminium     |
| <b>Led Color:</b>         | 5700K         |
| <b>Product Dimension:</b> | 615*548*475mm |
| <b>IP Code:</b>           | 66            |
| <b>Fixation:</b>          | Surface       |
| <b>CRI :</b>              | 70            |
| <b>Lumen Output:</b>      | 192000LM      |
| <b>Frequency:</b>         | 50/60 Hz      |
| <b>Beam Angle:</b>        | 20°           |
| <b>Net Weight:</b>        | 27.80 Kgs     |

## DIMENSION DRAW



# OUTDOOR